



ZI-2081 Manual Instruction

Tone Generator and Amplifier Probe

Introduction

Congratulations on your purchase of Model LA-1013. This tone generator and amplifier probe set is used to quickly trace and identify cables or wires within a group and also check the operation of phone lines. It has an important feature that the tone generator has the function of 220V high voltage protection .With proper use and care, this meter will provide many years of reliable service.

Specifications

Power: 9V battery (tone generator and probe (1 each))

Tone output : 1kHz, 6V square wave (approximately)

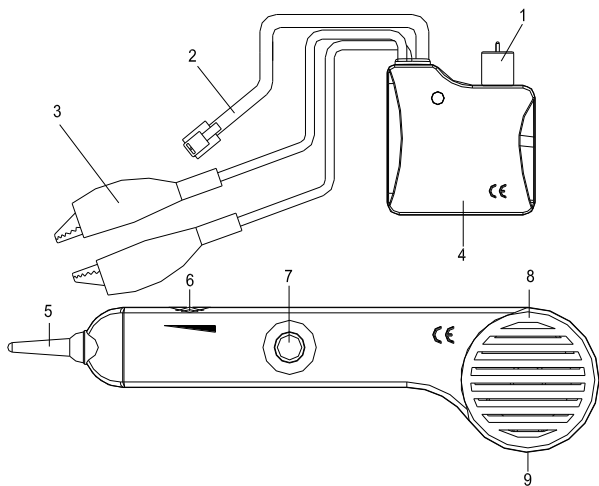
Dimensions:

Probe:9x2.25x1(228x57x25.4mm),Generator:2.3x2.3x1.35”(58.5x58.5x34.3mm)

Weight : 0.6lb (270gm)

www.zicotech.com

Meter Description



- 1. Power switch**
- 2. Modular connectors**
- 3. Test leads**
- 4. Battery compartment (rear)**
- 5. Probe tip**
- 6. Volume/Sensitivity control**
- 7. Power button**
- 8. Battery compartment (rear)**
- 9. Headphone jack**

Operating Instructions

Cable/Wire tracing

1. Connect the tone generator to the cable
 - a) For cables terminated at one end, connect the red alligator clip to a wire and the black alligator clip to equipment ground
 - b) For unterminated cables, connect the red alligator clip to one wire and the black alligator clip to another wire.
 - c) For cables with modular connectors, plug the RJ11 connectors directly into the matching cable connectors.
2. Set the tone generator power switch to the TONE position.
3. On the amplifier probe, press and hold the side on/off switch.
4. Hold the insulated probe tip against the wire in question to pick up the signal generated by the tone generator.
5. Rotate the volume/sensitivity control on the top of the probe for the appropriate level and sensitivity to identify and trace the wire.
6. The tone will be the loudest on the wires connected to the tone generator.

Note: A headphone jack is located on the bottom of the probe.

Identifying telephone cable Tip and Ring – Using Alligator Clips

1. Switch the tone generator to the OFF position
2. Connect the red test lead to one line and the black lead to the other line.
3. The LED color indicates the connection to the RED test lead as:
GREEN = Ring side, RED = Tip side.

Identifying telephone cable Tip and Ring – Using the RJ-11 Connectors

1. Switch the tone generator to the OFF position
2. Connect the RJ-11 connector mating cable connector.
3. The LED color indicates the condition of the telephone jack wiring.
GREEN = Jack wired properly, RED = Jack wired with reversed polarity.

Identifying telephone cable Line Condition

1. Switch the tone generator to the OFF position
2. Connect the red test lead to the RING side and the black test lead to the TIP side.
3. The LED will indicate line condition by:
GREEN = CLEAR , OFF = BUSY, Flickering YELLOW = RINGING
4. Switch the tone generator power switch to CONT to terminate the call.

Continuity testing

1. Connect the test leads to the wire pair under test.
2. Switch the tone generator to the CONT position.
3. The LED will glow bright GREEN for a low resistance or continuity. The LED will glow less brightly as the resistance increases and will extinguish at approximately 10,000ohms.

Tone selection

The output of the tone generator can be set to continuous or wobble. To change the type of output, change the tone type switch position (located in the battery compartment)

Battery replacement

Install a new battery by removing the battery cover as indicated in the meter description diagram.